

Refrigeration & Freezer Temperature System

Overview

- Ideal for refrigerated rooms, freezers, cold storage facilities and laboratories — anywhere an accurate, rugged, and weatherproof temperature sensor is needed.
- 100 Ω platinum RTD probe is constructed of 316 stainless steel to be resistant to most chemicals, including ammonia. Operates to -452°F (-269°C).
- 4 to 20 mA transmitter is epoxy potted to protect circuitry from condensation and ice. Operates in ambient temperatures down to -13°F (-25°C).
- Transmitter is match calibrated to RTD for 0.75% system accuracy. Free NIST certificate.
- Enclosure is gasketed and moisture resistant.
- RTD probe is available in lengths ranging from 2 inches to 48 inches, and the probe can be center-mounted for through-the-wall installation, or end-mounted for flush-to-the-wall mounting.

Specifications

Temperature range:

Probe: -269 to 260°C (-452 to 500°F).

Transmitter: -25 to 85°C (-13 to 185°F).

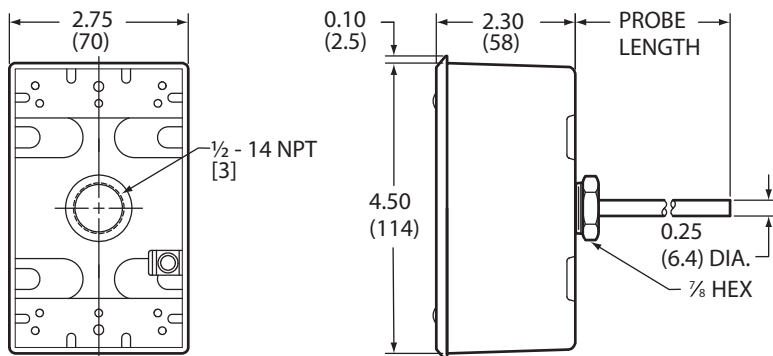
RTD probe: 100 Ω platinum, 0.00385 TCR.

Transmitter: 4-20 mA output, 8.5 to 35 VDC loop powered.



Specification and order options

AS100279	Assembly number
PD	100 Ω platinum RTD
67	Probe length: Specify in 0.1" increments (Ex: 67 = 6.7 inches)
M	Temperature range for 4-20 mA output: M = -50 to 50°C (-58 to 122°F) AD = -40 to 48.9°C (-40 to 120°F) DN = -30 to 50°C (-22 to 122°F) S = -18 to 37.8°C (0 to 100°F) BY = -10 to 40°C (14 to 104°F) Other ranges are available starting on page 5-20.
AS100279PD67M = Sample part number	



Specifications subject to change